



SCREWLESS TECHNOLOGY

HSTR Series 3 Level (In-Line or Staggered PCB Pin)

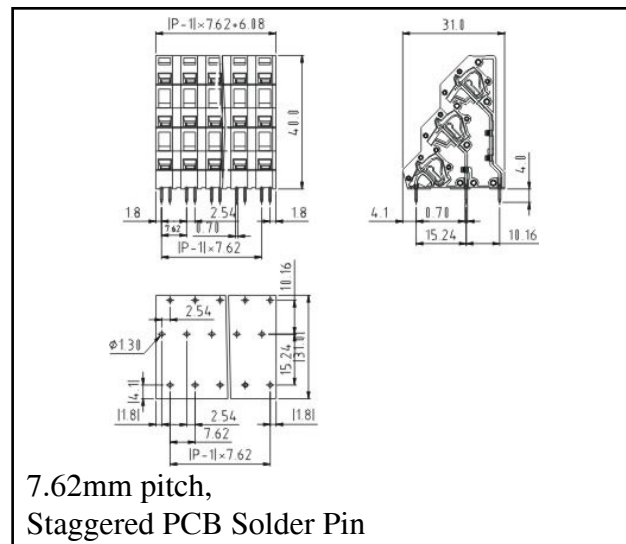
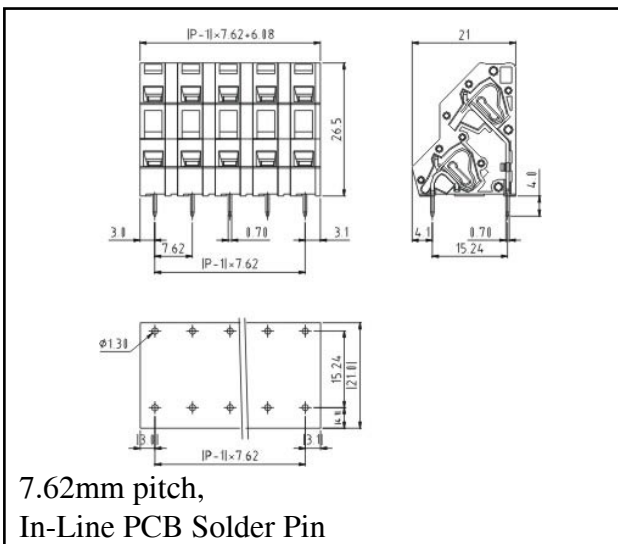
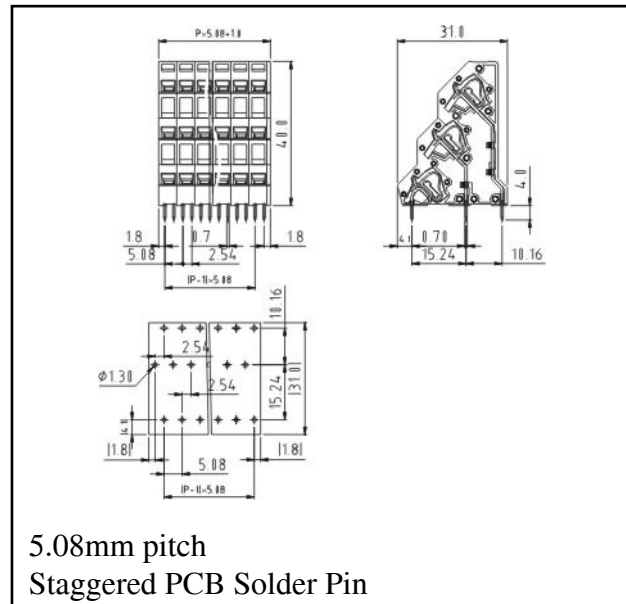
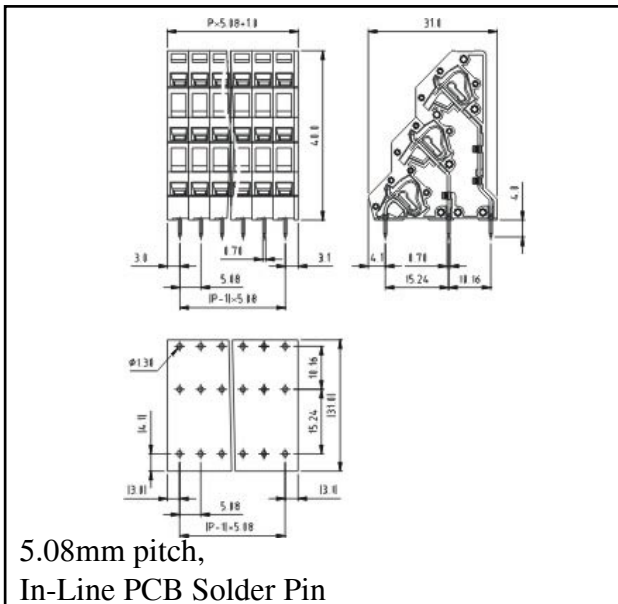


www.helag.se

TECHNICAL DATA

HSTR Series			
Pitch Available (mm)	5.08	7.62	10.16
Poles Available	2 - 24	2 - 16	2 - 12
Voltage Rating	300V	300V	250V
Current Rating	10A	10A	10A
Solid Wire (AWG)	12 - 28	12 - 28	12 - 28
Withstanding Voltage (KV)	1.6	1.6	1.6
Wire Strip Length (mm)	6~7	6~7	6~7

DRAWINGS

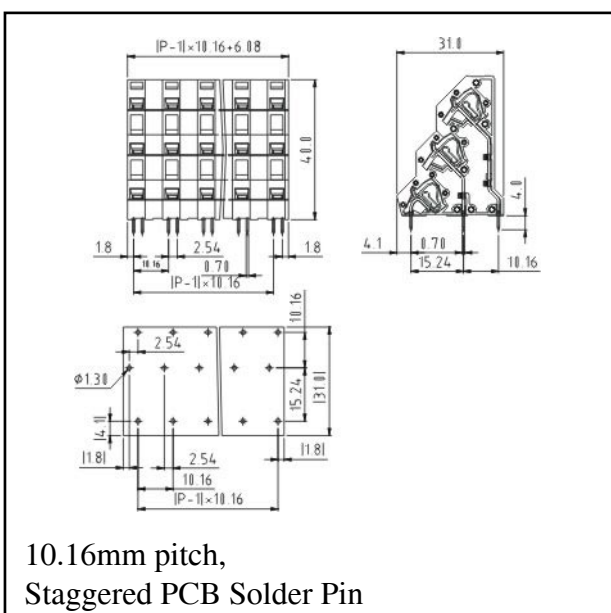
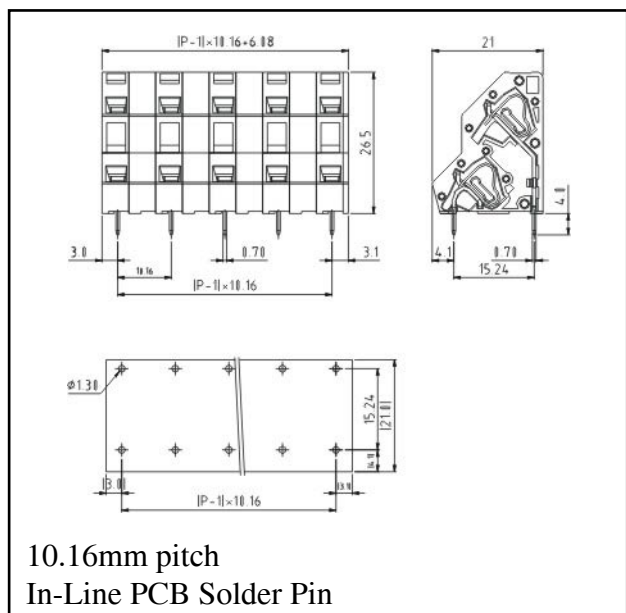


T: +46 33 157055

E: sales@helag.se

F: +46 33 150951

DRAWINGS



ORDERING CODES

HSTR	XX Poles	X Pitch (mm)	0	X Colour	X	X X X HG
	02 2 Contacts 03 3 Contacts 24 24 Contacts	3 5.08 5 7.62 4 10.16		0 Black 3 Orange 5 Green 8 Grey C Multiple	0 Solder pin in line 1 Solder pins staggered by half pin spacing	X Special Requests

T: +46 33 157055

E: sales@helag.se

F: +46 33 150951